

HYDRAULIC BREAKER

Parts Manual

PMM7BSENG.613

Serial No.

BT07A0005-UP



TABLE OF CONTENTS

1. Housing unit BOX	4
2. Housing unit SIDE MOUNTED	6
3. Impact unit	8
4. Seal set	10
5. Service kit	12
6. Service kit 2	13

GENUINE BRETEC SPARE PARTS

Bretec genuine spare parts are designed and manufactured by using the latest technological knowledge and engineering skills. Bretec spare parts are made of the best available materials with the most advanced manufacturing techniques.

It is important that you use only genuine Bretec spare parts, to ensure easy operation, maintenance and repair of the product. Please note that eventual warranty claims will be handled only if you have used genuine Bretec parts in your Bretec product.

LOCATION OF THE SERIAL NUMBER

It's important to make correct reference to the serial number of the product when ordering spare parts. Identification of serial number is the only proper means of maintaining and identifying parts for a specific product. The location of equipment serial number is pointed in "Operation and maintenance" manual.

SPARE PART ORDERS

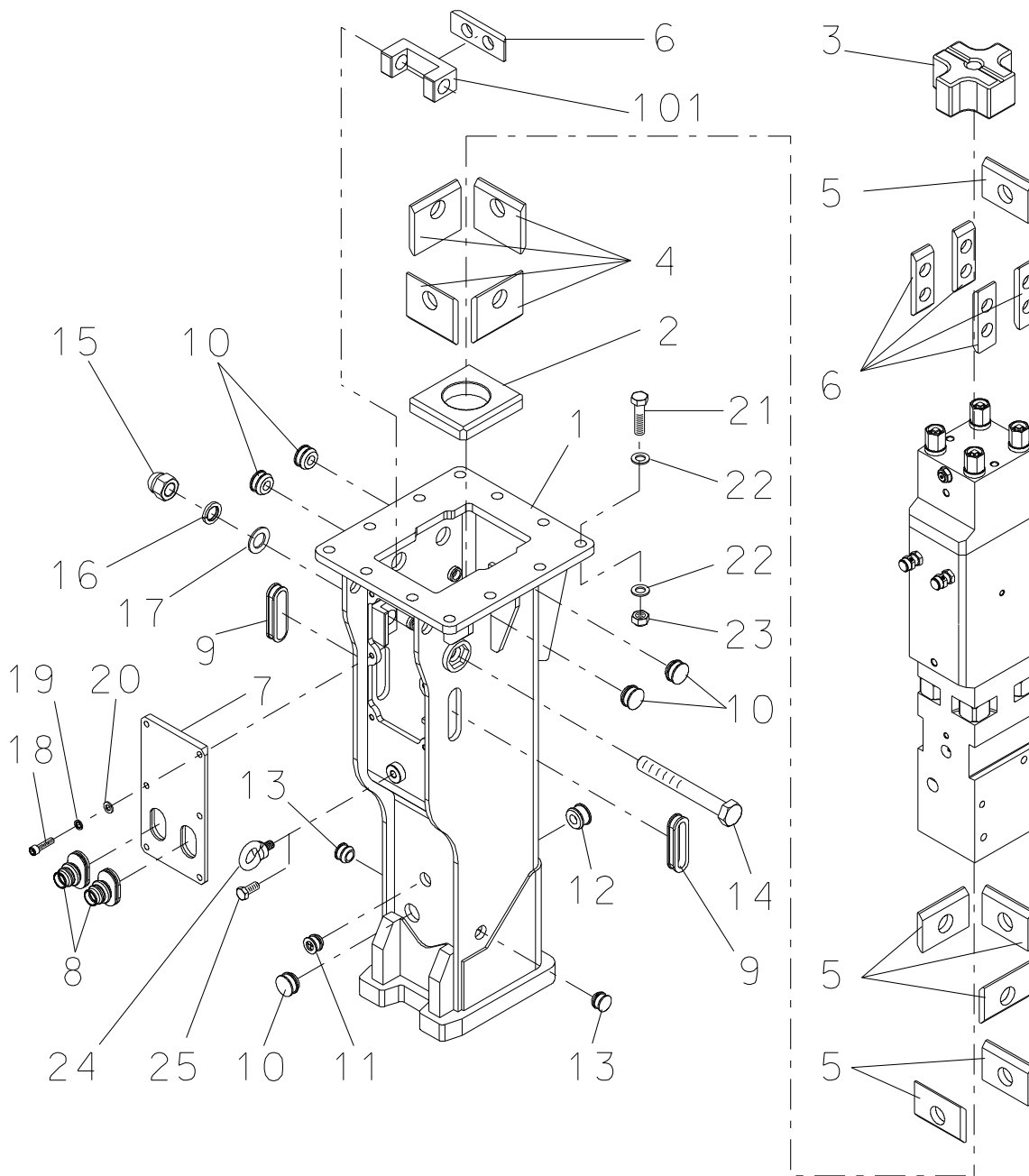
Quick spare part deliveries are secured by exact orders.

Required information:

- Name of customer and contact person
 - Order number (when available)
 - Delivery address
 - Mode of delivery (air mail etc.)
 - Required delivery date
 - Invoicing address
 - Model and serial number of the product
 - Name, number and required amount of spare parts
-

1. Parts

1. HOUSING UNIT BOX

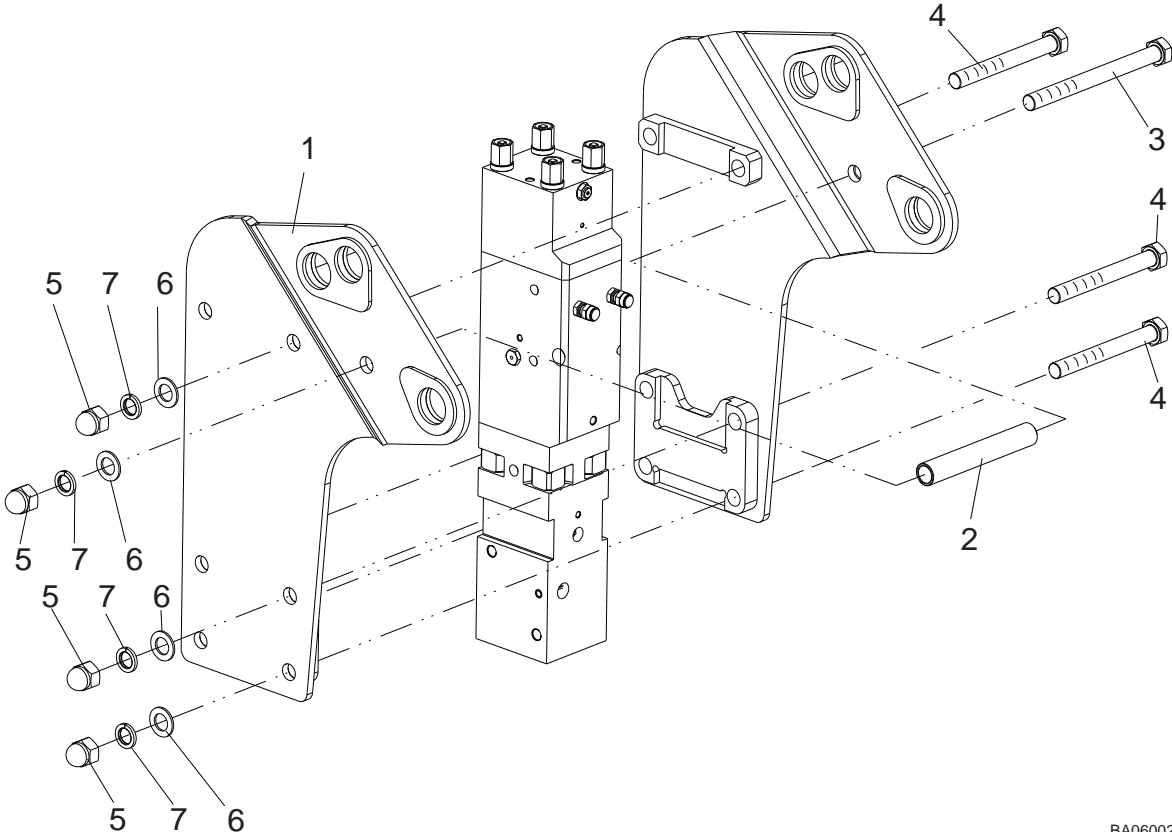


BA060011

Item	Description	Part no.	Specification	Note	Qty
1	Housing (incl. part 101)	167266			1
2	Pad	167144			1
3	Buffer	167143			1
4	Wear plate	167131			4
5	Wear plate	167132			6
6	Wear plate	167136			5
7	Shield plate	167145			1
8	Hose guide	167134			2
9	Rubber plug	167042			2

Item	Description	Part no.	Specification	Note	Qty
10	Rubber plug	167139			5
11	Rubber plug	167140			1
12	Rubber plug	167141			1
13	Rubber plug	167142			2
14	Hex. screw	953671	M30x2x240-10.9 ISO 4014		1
15	Nut	953629	M30x2-10 DIN 1587		1
16	Spring washer	953633	A30 DIN 127		1
17	Washer	953632	30-100 HV ISO 7091		1
18	Hex. socket screw	901902	M12x45-8.8 ISO 4762		10
19	Spring washer	91018	A12 DIN 127		18
20	Washer	903211	12-140 HV ISO 7089		1
21	Hex. screw	91022	M20x90-8.8 DIN 931		12
22	Lock washer	91010	M20 NORD-LOCK		24
23	Nut	91017	M20-8 ISO 4032		12
24	Lifting eye	90690	M16 DIN 580		1
25	Hex. screw	90517	M16x35-8.8 ISO 4017		1
101	Spacer	167147			1
201	Label set (incl. part 202)	171512			1
202	Safety label set	169400	english		1

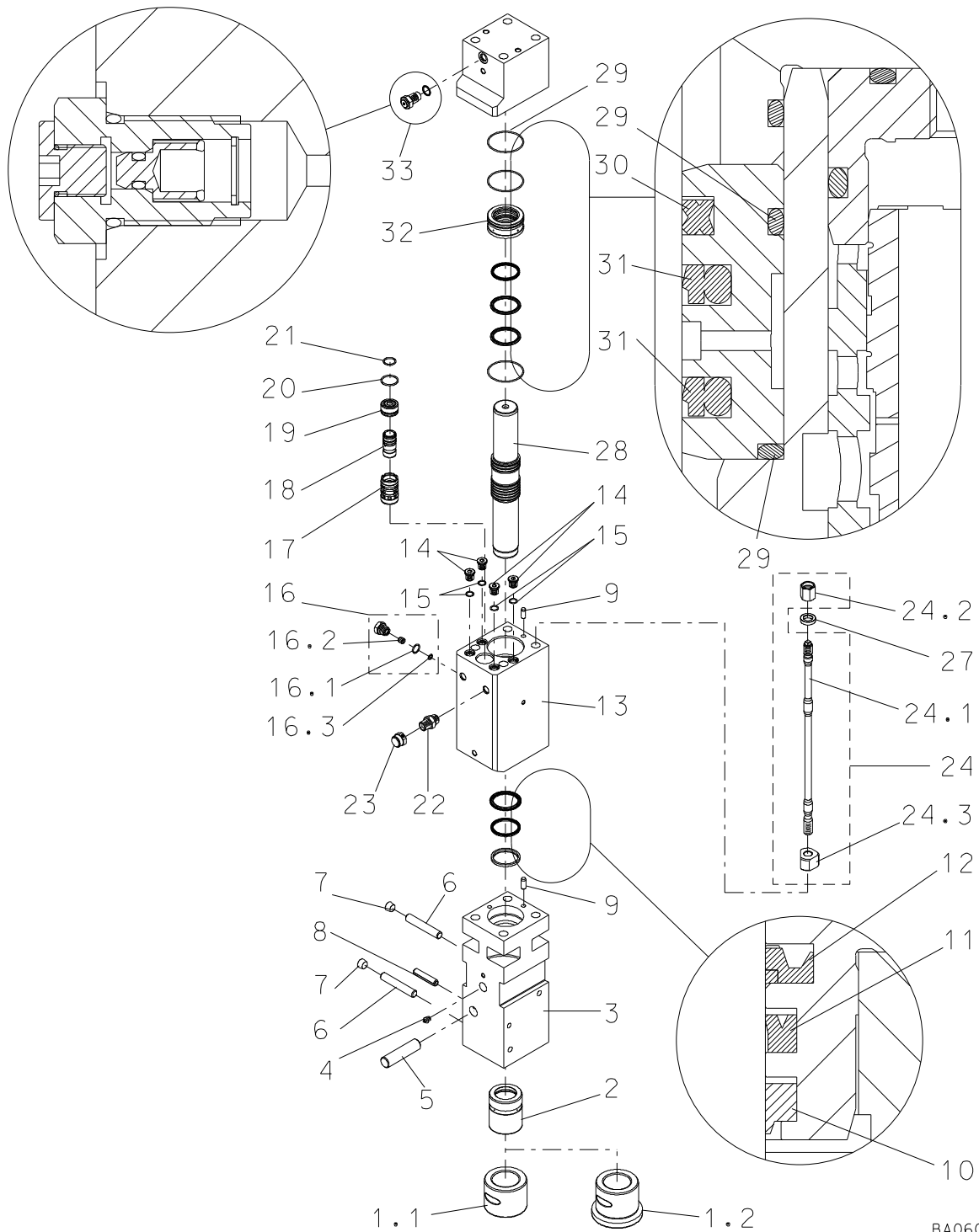
2. HOUSING UNIT SIDE MOUNTED



BA060020

Item	Description	Part no.	Specification	Note	Qty
1	Side plates	170398			1
2	Spacer	170328			1
3	Hex. screw	954077	M30x2x340-10.9 ISO 4014		1
4	Hex. screw	953630	M30x2x260-10.9 ISO 4014		6
5	Nut	953629	M30x2-10 DIN 1587		7
6	Washer	953632	30 100 HV ISO 7091		7
7	Spring washer	953633	A30 DIN 127		7
201	Label set (incl. part 202)	171574			1
202	Safety label set	169400	english		1

3. IMPACT UNIT



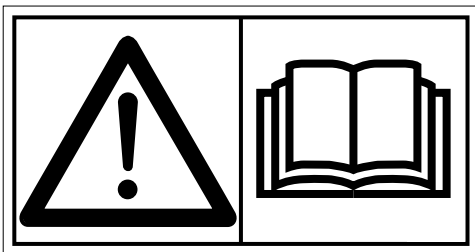
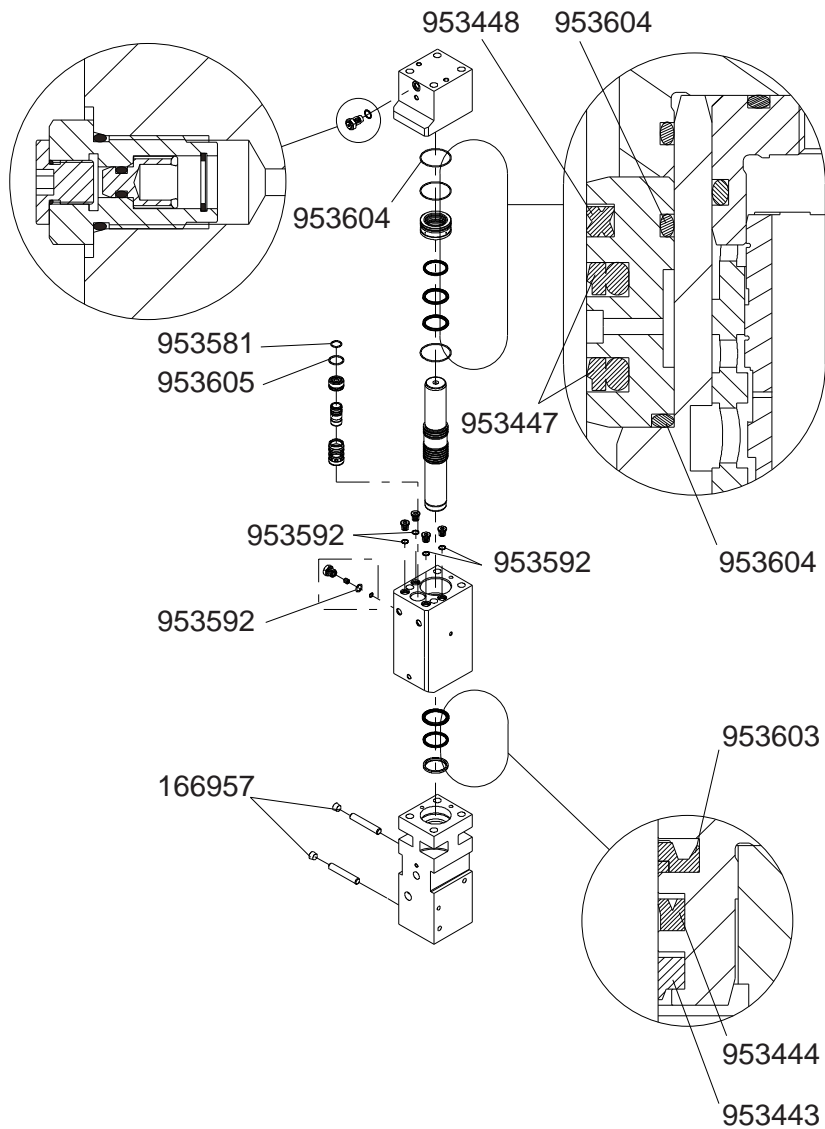
BA060012

Item	Description	Part no.	Specification	Note	Qty
1.1	Lower tool bushing	166920	Housing model		1
1.2	Lower tool bushing	166921	Side plates model		1
2	Upper tool bushing	166917			1
3	Front head	166850			1
4	Grease nipple	90200			1
5	Tool retaining pin	166951			1

Item	Description	Part no.	Specification	Note	Qty
6	Retaining pin	166952			2
7	Rubber plug	166957		*	2
8	Split pin	953563			1
9	Parallel pin	166979			2
10	Wiper	953443		*	1
11	Seal	953444		*	1
12	Seal	953603		*	1
13	Cylinder	166848			1
14	Plug	166953			4
15	O-ring	953592		*	4
16	Breather (incl. parts 16.1-16.3)	167016			1
16.1	O-ring	953592		*	1
16.2	Spool	167018			1
16.3	Retaining ring	953371	12x1 DIN 472		1
17	Bushing	166880			1
18	Distributor	166875			1
19	Distributor cover	166914			1
20	O-ring	953605		*	1
21	O-ring	953581		*	1
22	Adapter	951849			2
23	Cap	953672			2
24	Tie rod (incl. parts 24.1-24.3)	K50B07			4
24.1	Tie rod				1
24.2	Nut				1
24.3	Tie rod nut				1
27	Washer	166879			4
28	Piston	166928			1
29	O-ring	953604		*	3
30	Seal	953448		*	1
31	Seal	953447		*	2
32	Seal carrier	166872			1
33	Accumulator filling plug	167015			1
	*) Are included in seal set				

4. SEAL SET

Seal set 167493

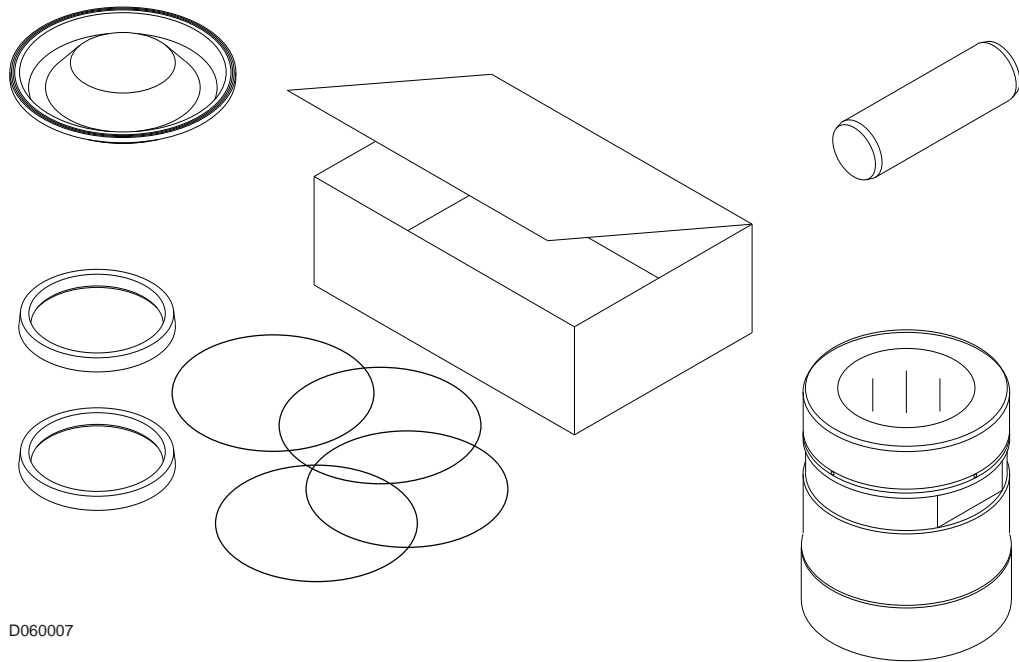


This summary only indicates the position of the seals. It must NOT be used as assembly instruction. Read the manual.

BA060014

Item	Description	Part no.	Specification	Note	Qty
Kit	Seal set (incl. parts 1-10)	167493			1
1	Wiper	953443			1
2	Seal	953444			1
3	Seal	953603			1
4	O-ring	953592			5
5	O-ring	953605			1
6	O-ring	953581			1
7	O-ring	953604			3
8	Seal	953448			1
9	Seal	953447			2
10	Rubber plug	166957			2

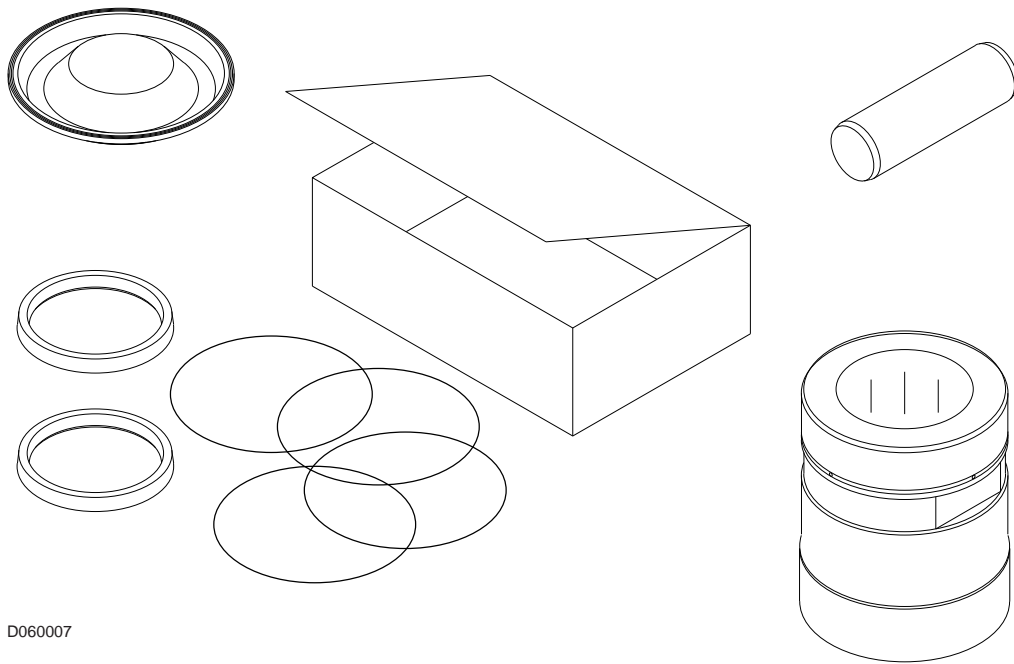
5. SERVICE KIT



D060007

Item	Description	Part no.	Specification	Note	Qty
Kit	Servicekit (incl. parts 1 - 3)	K10B07			1
1	Lower tool bushing	166920	Housing model		1
2	Tool retaining pin	166951			1
3	Seal set	167493			1

6. SERVICE KIT 2



D060007

Item	Description	Part no.	Specification	Note	Qty
Kit	Servicekit (incl. parts 1 - 6)	K20B07			1
1	Pad	167144			1
2	Buffer	167143			1
3	Wear plate	167131			4
4	Wear plate	167132			6
5	Wear plate	167136			5
6	Upper tool bushing	166917			1



© 2013 Sandvik
All rights reserved.

21-24-14091-33-76-168
33-24-14091-45-212-280

www.bretec.com