

HYDRAULIC BREAKER

Parts Manual

PMM5BSENG.613

Serial No.

BT05A0005-UP

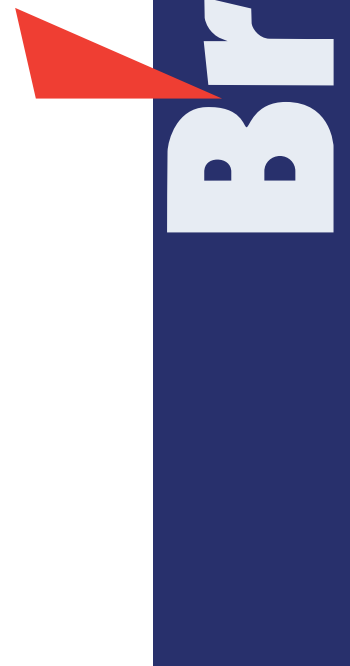


TABLE OF CONTENTS

1. Housing unit BOX	4
2. Housing unit SIDE MOUNTED	6
3. Impact unit	8
4. Seal set	10
5. Service kit	12
6. Service kit 2	13

GENUINE BRETEC SPARE PARTS

Bretec genuine spare parts are designed and manufactured by using the latest technological knowledge and engineering skills. Bretec spare parts are made of the best available materials with the most advanced manufacturing techniques.

It is important that you use only genuine Bretec spare parts, to ensure easy operation, maintenance and repair of the product. Please note that eventual warranty claims will be handled only if you have used genuine Bretec parts in your Bretec product.

LOCATION OF THE SERIAL NUMBER

It's important to make correct reference to the serial number of the product when ordering spare parts. Identification of serial number is the only proper means of maintaining and identifying parts for a specific product. The location of equipment serial number is pointed in "Operation and maintenance" manual.

SPARE PART ORDERS

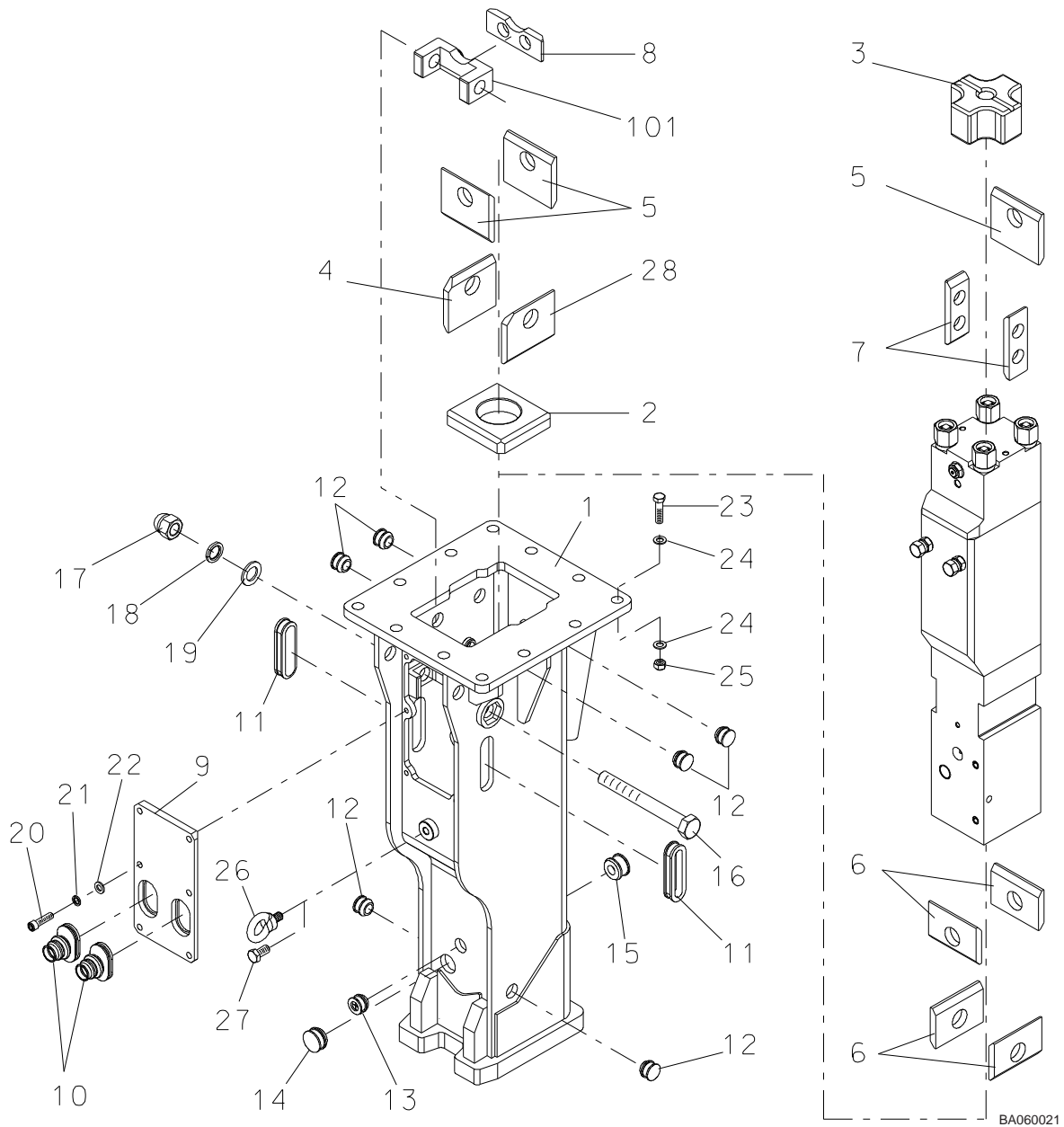
Quick spare part deliveries are secured by exact orders.

Required information:

- Name of customer and contact person
 - Order number (when available)
 - Delivery address
 - Mode of delivery (air mail etc.)
 - Required delivery date
 - Invoicing address
 - Model and serial number of the product
 - Name, number and required amount of spare parts
-

1. Parts

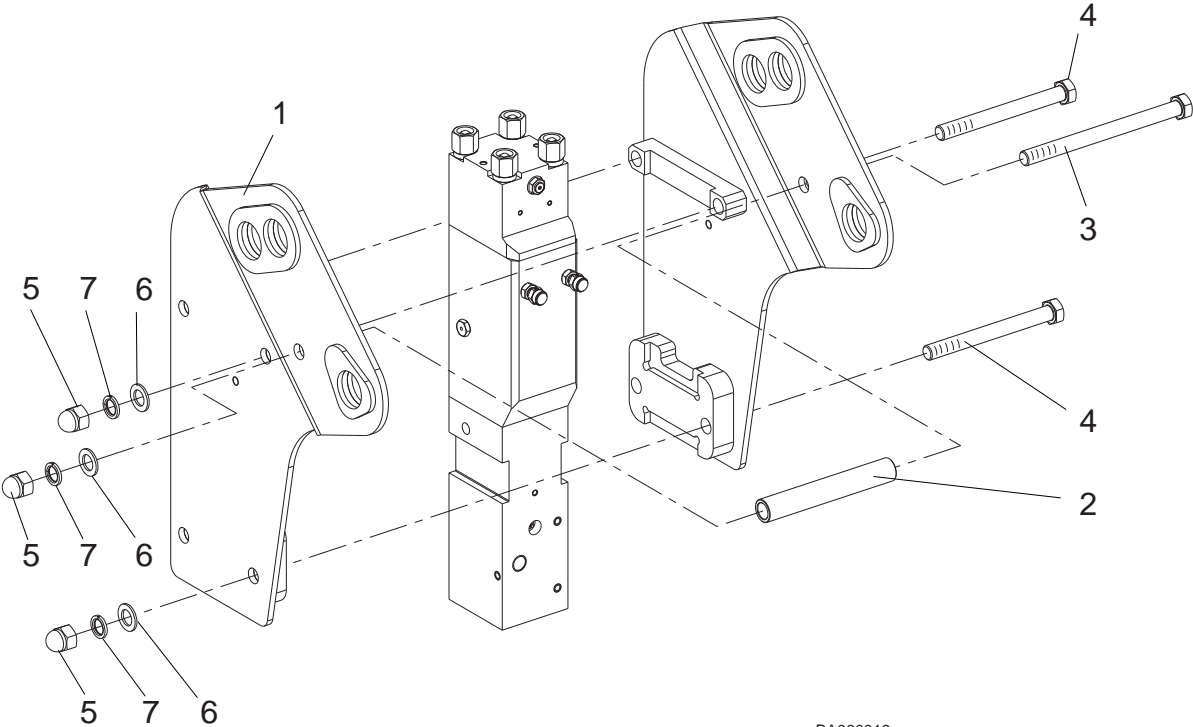
1. HOUSING UNIT BOX



Item	Description	Part no.	Specification	Note	Qty
1	Housing (incl. part 101)	167383			1
2	Pad	167130			1
3	Buffer	167129			1
4	Wear plate	167406			1
5	Wear plate	167131			3
6	Wear plate	167132			4
7	Wear plate	167136			2
8	Wear plate	167137			1
9	Shield plate	167133			1

Item	Description	Part no.	Specification	Note	Qty
10	Hose guide	167134			2
11	Rubber plug	167138			2
12	Rubber plug	167142			6
13	Rubber plug	167140			1
14	Rubber plug	167139			1
15	Rubber plug	167141			1
16	Hex. screw	953380	M27x230-10.9 ISO 4014		1
17	Nut	953468	M27-10 DIN 1587		1
18	Spring washer	953647	A27 DIN 127		1
19	Washer	953646	27-100 HV ISO 7091		1
20	Hex. socket screw	901902	M12x45-8.8 ISO 4762		6
21	Spring washer	91018	A12 DIN 127		6
22	Washer	903211	12-140 HV ISO 7089		6
23	Hex. screw	91022	M20x90-8.8 DIN 931		12
24	Lock washer	91010	M20 NORD-LOCK		24
25	Nut	91017	M20-8 ISO 4032		12
26	Lifting eye	90690	M16 DIN 580		1
27	Hex. screw	90514	M16x30-8.8 ISO 4017		1
28	Wear plate	167407			1
101	Spacer	167135			1
201	Label set (incl. part 202)	171511			1
202	Safety label set	169400	english		1

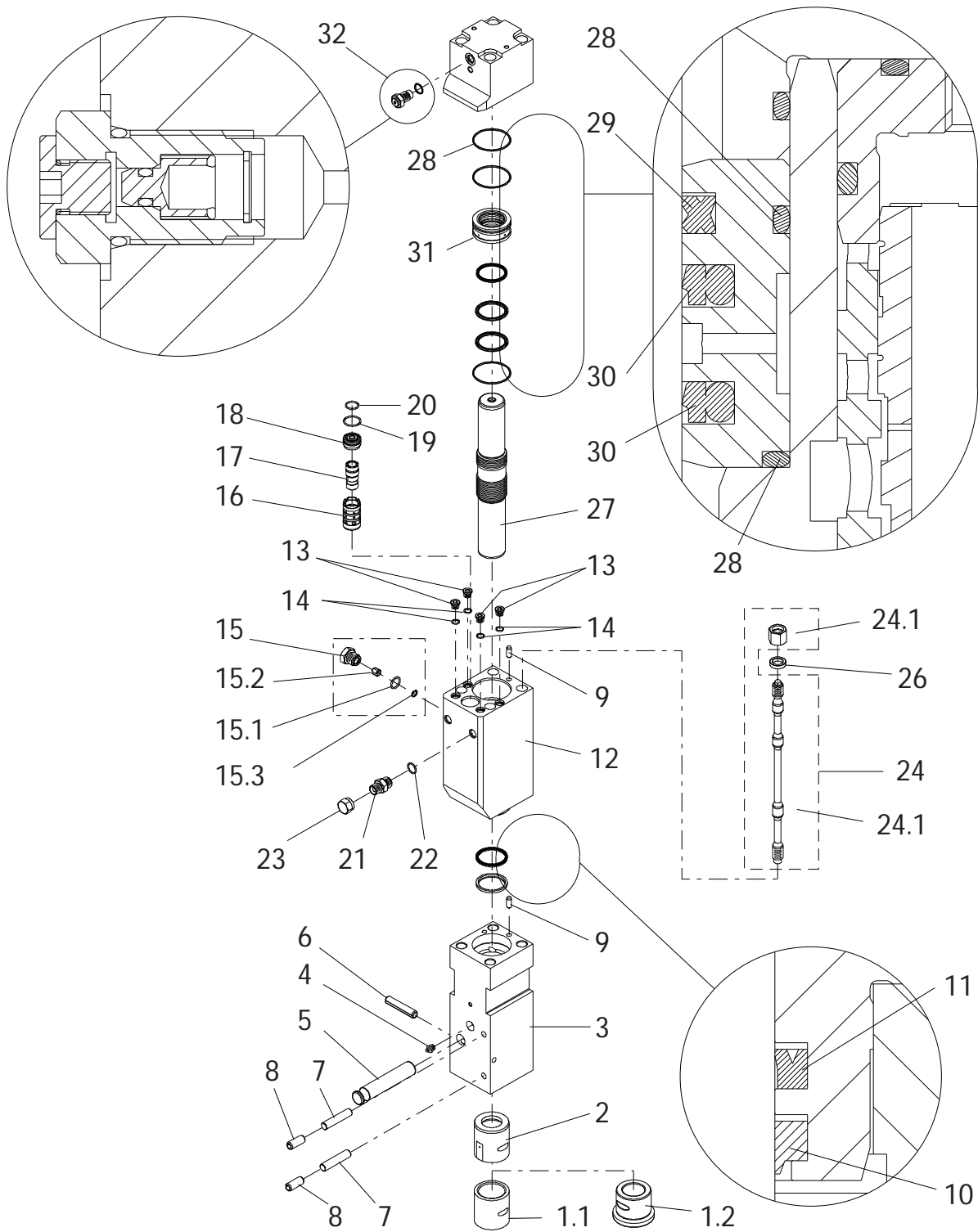
2. HOUSING UNIT SIDE MOUNTED



BA060019

Item	Description	Part no.	Specification	Note	Qty
1	Side plates	170213			1
2	Spacer	954065			1
3	Hex. screw	954062	M27x2x340-10.9 ISO 4017		1
4	Hex. screw	954063	M27x2x270-10.9 ISO 4017		4
4	Nut	953468	M27x2-10 DIN 1587		5
5	Washer	953646	27 100 HV ISO 7091		5
6	Spring washer	953647	A27 DIN 127		5
201	Label set (incl. part 202)	171573			1
202	Safety label set	169400	english		1

3. IMPACT UNIT



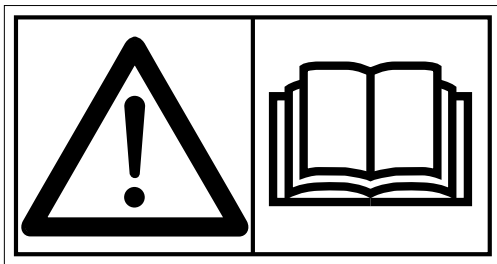
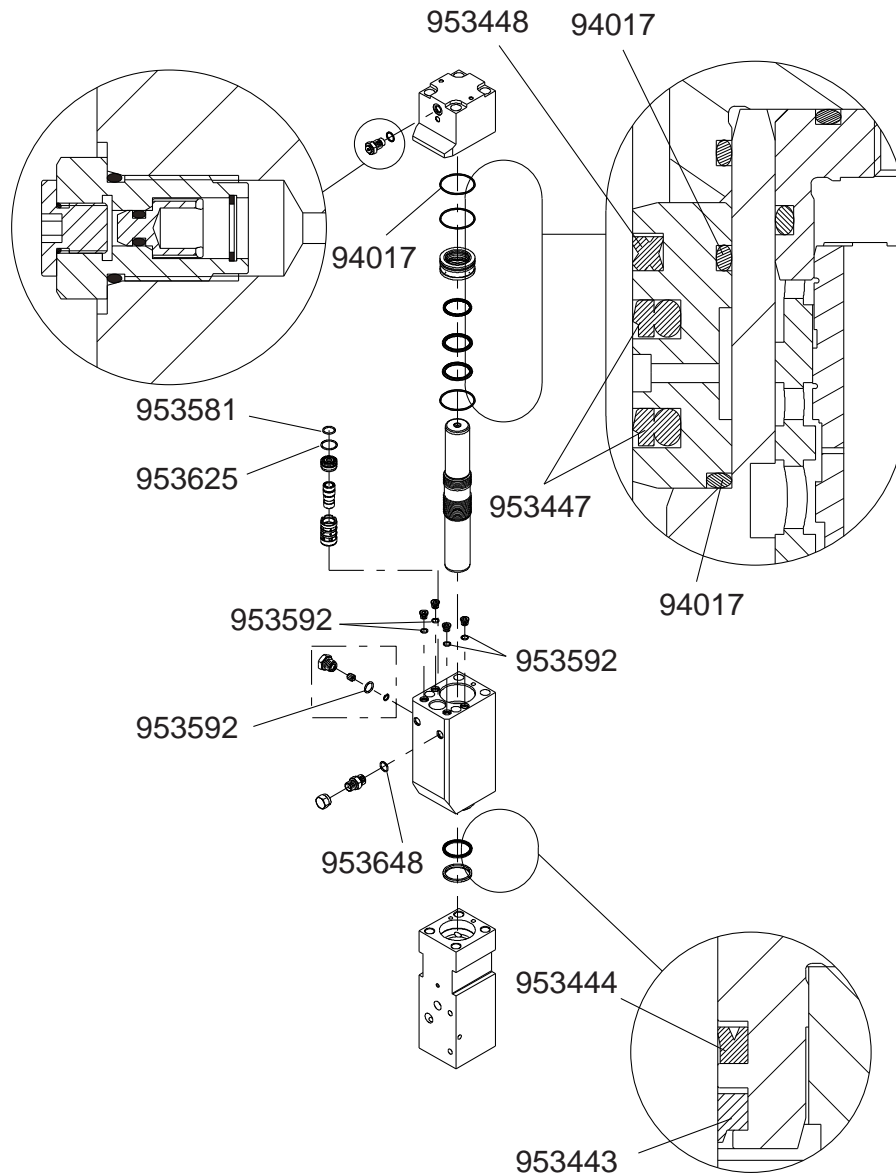
BA060016

Item	Description	Part no.	Specification	Note	Qty
1.1	Lower tool bushing	167093	Housing model		1
1.2	Lower tool bushing	170199	Side plates model		1
2	Upper tool bushing	167088			1
3	Front head	166849			1

Item	Description	Part no.	Specification	Note	Qty
4	Grease nipple	90200			1
5	Tool retaining pin	167098			1
6	Split pin	953471			1
7	Retaining pin	167099			2
8	Split pin	953470			2
9	Parallel pin	166979			2
10	Wiper	953443		*	1
11	Seal	953444		*	1
12	Cylinder	166847			1
13	Plug	167094			4
14	O-ring	953592		*	4
15	Breather (incl. parts 15.1-15.3)	167016			1
15.1	O-ring	953592		*	1
15.2	Spool	167018			1
15.3	Retaining ring	953371	12x1 DIN 472		1
16	Bushing	167090			1
17	Distributor	167091			1
18	Distributor cover	167092			1
19	O-ring	953625		*	1
20	O-ring	953581		*	1
21	Adapter	953770			2
22	O-ring	953648		*	2
23	Cap	166267			2
24	Tie rod (incl. parts 24.1-24.2)	K50B05			4
24.1	Tie rod				1
24.2	Nut				1
26	Washer	167096			4
27	Piston	167709			1
28	O-ring	94017		*	3
29	Seal	953448		*	1
30	Seal	953447		*	2
31	Seal carrier	167089			1
32	Accumulator filling plug	167015			1
	*) Are included in seal set				

4. SEAL SET

Seal set 167488

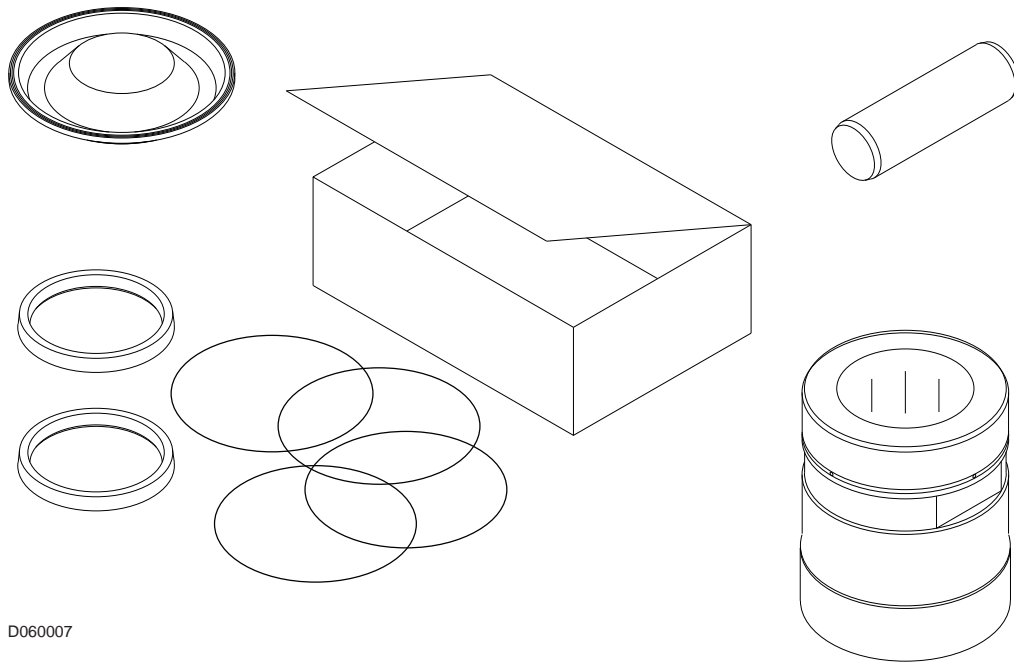


This summary only indicates the position of the seals. It must NOT be used as assembly instruction. Read the manual.

BA060015

Item	Description	Part no.	Specification	Note	Qty
Kit	Seal set (incl. parts 1-9)	167488			1
1	Wiper	953443			1
2	Seal	953444			1
3	O-ring	953592			5
4	O-ring	953625			1
5	O-ring	953581			1
6	O-ring	953648			2
7	O-ring	94017			3
8	Seal	953448			1
9	Seal	953447			2

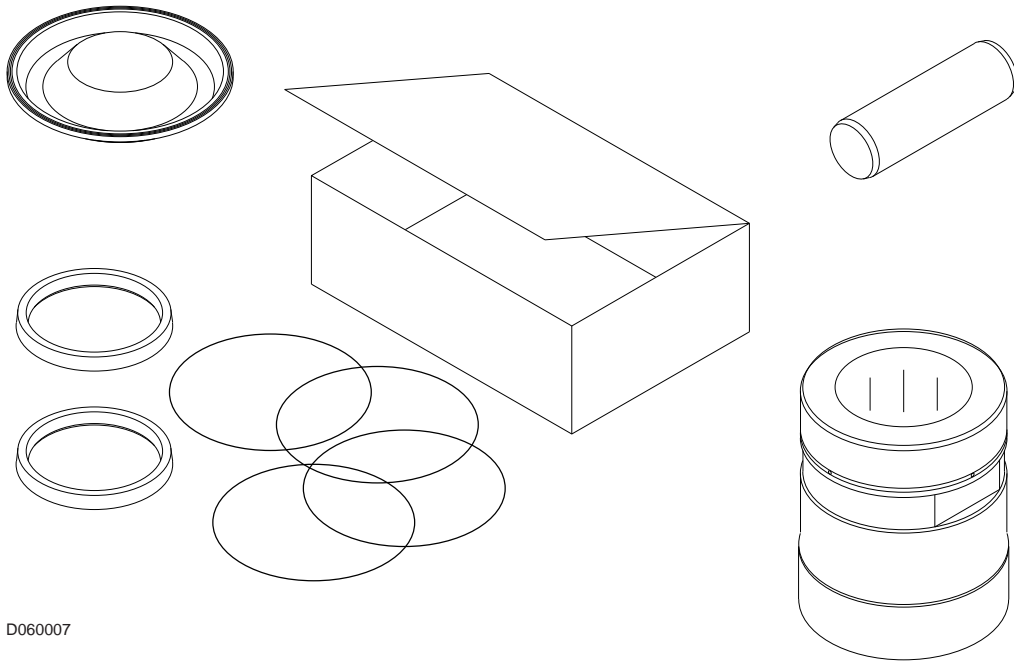
5. SERVICE KIT



D060007

Item	Description	Part no.	Specification	Note	Qty
Kit	Servicekit (incl. parts 1 - 3)	K10B05			1
1	Lower tool bushing	167093	Housing model		1
2	Tool retaining pin	167098			1
3	Seal set	167488			1

6. SERVICE KIT 2



Item	Description	Part no.	Specification	Note	Qty
Kit	Servicekit (incl. parts 1 - 9)	K20B05			1
1	Pad	167130			1
2	Buffer	167129			1
3	Wear plate	167406			1
4	Wear plate	167131			3
5	Wear plate	167132			4
6	Wear plate	167136			2
7	Wear plate	167137			1
8	Wear plate	167407			1
9	Upper tool bushing	167088			1



© 2013 Sandvik
All rights reserved.

21-24-14091-33-76-168
36-24-14091-24-160-154

www.bretec.com